



CONSTRUCTION SUBMITTAL SPECIFICATIONS:

NOTE: \*IF DIMENSIONS DIFFER FROM DRAWING PLEASE INDICATE OTHERWISE THE EQUIPMENT WILL BE SUPPLIED AS SHOWN.

- MODEL: \* \_\_\_\_\_
QTY: \* \_\_\_\_\_
CAPACITY: \* \_\_000 LBS.
LIP PLATE: \* 20 / 18 / 16" LONG.
PUMP/MOTOR: \* 1 HP, \_\_\_v \_\_PH 60Hz.
BUMPERS: \* \_\_\_\_\_
ICC BUMPER: \* \_\_\_\_\_
PAINT: \* GREEN/OTHER : \_\_\_\_\_
OPTIONS: [ ] WELD ON REAR HINGE ASSY
[ ] LIP TAPERED TO: 6'-0" / 6'-6" / NOTCHED \_\_\_\_\_
[ ] GREASE FITTINGS
[ ] HOT DIPPED GALVANIZED BACK CHANNEL ASSY
[ ] HOT DIPPED GALVANIZED LEVELER
[ ] CONTINUOUS BACK CHANNEL ASSY LENGTHS : \_\_\_\_\_

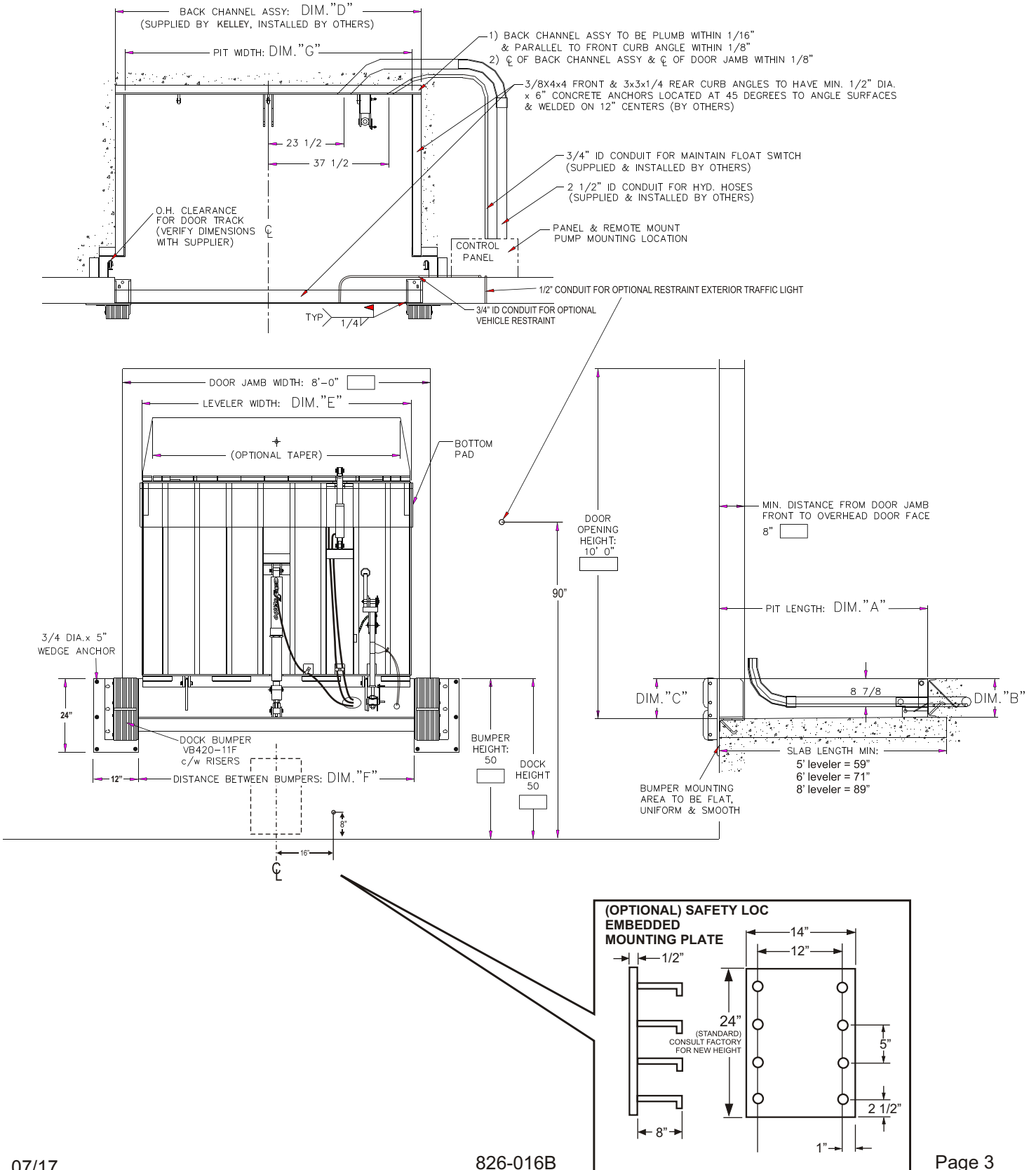
HYDRAULIC HOSE ASSY FROM LEVELER:

- [ ] 1) FACTORY MADE ASSY (SUPPLY EXACT 25' LENGTHS)
[ ] 2) SUPPLY OTHER: \_\_\_\_\_

DELIVERY DATES:

BACK CHANNEL : \_\_\_\_\_
REMAINING ORDER : \_\_\_\_\_
ADDITIONAL INFO : \_\_\_\_\_
\_\_\_\_\_
\_\_\_\_\_
\_\_\_\_\_

Table with 7 columns: MODEL, DIM "A", DIM "B", DIM "C", DIM "D", DIM "E", DIM "F". Rows include models 500, 56.500, 5700, 600, 66.500, 6700, 800, 86.500, 8700.





CONSTRUCTION SUBMITTAL SPECIFICATIONS:

NOTE: \*IF DIMENSIONS DIFFER FROM DRAWING PLEASE INDICATE OTHERWISE THE EQUIPMENT WILL BE SUPPLIED AS SHOWN.

MODEL: \*\_\_\_\_\_

QTY: \*\_\_\_\_\_

CAPACITY: \* \_\_\_000 LBS.

LIP PLATE: \* 20 / 18 / 16" LONG.

PUMP/MOTOR: \* 1 HP, \_\_\_v \_\_\_PH 60Hz.

BUMPERS: \* \_\_\_\_\_

ICC BUMPER: \* \_\_\_\_\_

PAINT: \* GREEN/OTHER : \_\_\_\_\_

OPTIONS:  WELD ON REAR HINGE ASSY

LIP TAPERED TO: 6'-0" / 6'-6" / NOTCHED \_\_\_\_\_

GREASE FITTINGS

HOT DIPPED GALVANIZED BACK CHANNEL ASSY

HOT DIPPED GALVANIZED LEVELER

HYDRAULIC HOSE ASSY FROM LEVELER TO PUMP OPTIONS:

1) FACTORY MADE ASSY (SUPPLY EXACT 25' LENGTHS)

2) SUPPLY OTHER: \_\_\_\_\_

DELIVERY DATES:

BACK CHANNEL : \_\_\_\_\_

REMAINING ORDER : \_\_\_\_\_

ADDITIONAL INFO : \_\_\_\_\_

\_\_\_\_\_  
\_\_\_\_\_  
\_\_\_\_\_

MODEL	PIT DIMENSIONS						
	DIM "A"	DIM "B"	DIM "C"	DIM "D"	DIM "E"	DIM "F"	DIM "G"
500	53 1/8"	12"	12 1/2"	83 1/2"	72"	74"	77 1/2"
56.500	53 1/8"	12"	12 1/2"	89 1/2"	78"	80"	83 1/2"
5700	53 1/8"	12"	12 1/2"	95 1/2"	84"	86"	89 1/2"
600	65 1/8"	12"	12 1/2"	83 1/2"	72"	74"	77 1/2"
66.500	65 1/8"	12"	12 1/2"	89 1/2"	78"	80"	83 1/2"
6700	65 1/8"	12"	12 1/2"	95 1/2"	84"	86"	89 1/2"
800	82 11/16"	15"	15 1/2"	83 1/2"	72"	74"	77 1/2"
86.500	82 11/16"	15"	15 1/2"	89 1/2"	78"	80"	83 1/2"
8700	82 11/16"	15"	15 1/2"	95 1/2"	84"	86"	89 1/2"