

ENERGY GUARD®

DOCK LEVELER SEALING SYSTEM

PERIMETER WEATHERSEAL SPECIFICATIONS

Design Highlights

- Side seal assemblies are open cell foam encapsulated with reinforced vinyl
- Rear hinge seal constructed of durable 3-ply material
- Effectively seals off gaps around sides and rear of dock leveler
- Helps prevent mass flow of air – minimizing transfer of energy into and out of the facility
- Effective perimeter seal (sides and back) up to 9” above dock
- Factory Installed - No field installation or pit mounted hardware
- Design avoids risk of fabric being cut, torn or damaged by trailers or debris resulting in expensive replacement
- Unrestricted access to pit for cleaning and dock leveler inspection. No curtains or fabric blocking access to the dock leveler and pit
- Works in conjunction with Kelley dock seals, vehicle restraints and TKO Dock Doors to provide improved overall energy efficiency

Project Information

Job Name _____
Address _____
General Contractor _____
Distributor _____
Quantity _____

Certified For Construction

By _____
Company _____
Address _____
Date _____

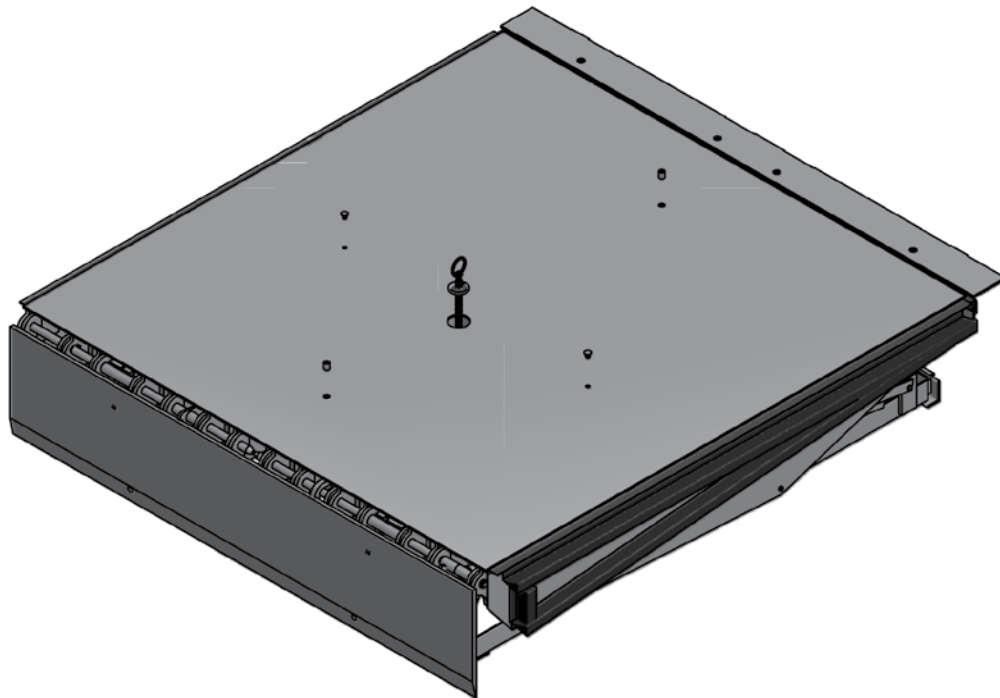
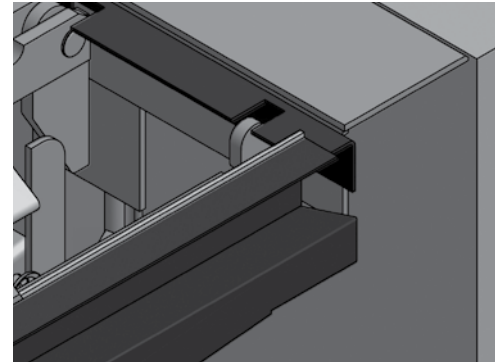


ENERGY GUARD®

DOCK LEVELER SEALING SYSTEM

PERIMETER WEATHERSEAL SPECIFICATIONS

- 1. General:** ENERGY GUARD® provides a superior perimeter seal along the sides and rear of the dock leveler and blocks dirt, debris, insects and energy loss. The innovative design seals the gaps between the dock leveler and concrete pit walls – typically missed by traditional weather seal or under-leveler seals attached to the front of the dock leveler. ENERGY GUARD prevents mass flow of air and minimizes transfer of energy into and out of the facility.
- 1. Side Seal Construction:** The side seals are chemical resistant, 22 oz PVC coated, polyester reinforced composite fabric. The fabric is rated to 30 degrees below zero (-30° F) with UV inhibitors and anti-mildew formulation and matte finish. The foam in the assemblies are triangular cut, 1 lb. per cubic foot, open cell polyurethane foam. The reinforcing bars are 1/8" x 1" brushed aluminum bar stock, cut to the full length of the side seals to ensure maximum support. The side seal ends are sewn closed to minimize moisture absorption.
- 2. Rear Hinge Seal Construction:** The rear seals are highly durable and resilient PVC-coated fabric with 2 plies of polyester base fabric, also chemical resistant. Monofilament is added to the weft to provide inherent memory.
- 3. Brush Seal Assembly:** 1-3/4" nylon brush weatherseal consisting of 1,000 bristles per inch.
- 4. Brush Cup Seals:** Nylon brush weatherseals provided to fill chain openings. Plugs also provided to fill miscellaneous holes in deck assembly.
- 5. Operation:** ENERGY GUARD provides an effective perimeter seal up to 9" above dock level during operation.
- 6. Installation:** Unit ships completely assembled and factory installed on dock leveler. No field installation necessary.



*Patent Pending

