



1612 Hutton Drive, Suite 140 • Carrollton, Texas 75006  
Phone: (800) 558-6960 • Fax: (972) 389-4752

# KELLEY

## ■ CM MECHANICAL DOCKLEVELER PIT DETAILS

## ■ STAR® CONDUIT RUN DETAILS *(Back Cover)*

CUSTOMER \_\_\_\_\_

ADDRESS \_\_\_\_\_

JOB \_\_\_\_\_

**DOCKLEVELER:** MECHANICAL Model Number \_\_\_\_\_ QUANTITY \_\_\_\_\_

**DOCKLEVELER RATING PER ANSIMH14.1-1987:**

30K       35K       40K       45K

**LIP LENGTH:**       16"       18"       20"

**STAR RESTRAINTS:**       STAR 1       STAR 1 with TRUK ALERT       STAR 4  
 STAR 2

**NOTE:** All STAR restraints, except STAR 1, require 115V, 1Ø.

### CERTIFIED FOR CONSTRUCTION

BY \_\_\_\_\_ DATE \_\_\_\_\_

COMPANY \_\_\_\_\_

CITY & STATE \_\_\_\_\_

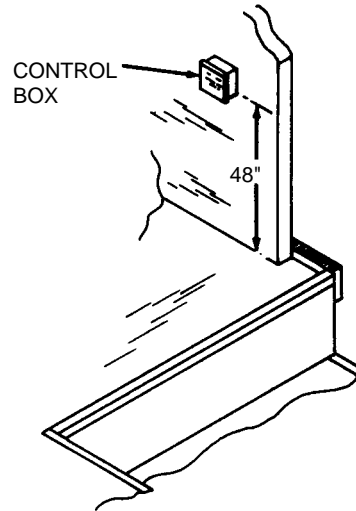
5559 R5 AUGUST 2007



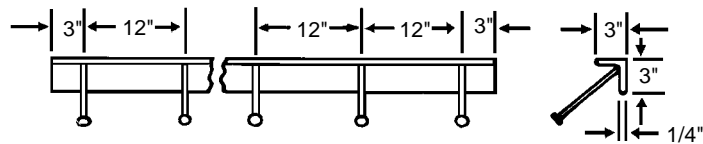
*Death or serious injury could result from failure to follow Kelley specifications for pit dimensions and/or configurations, or conduit location; improper installation of dock leveler, anchoring devices or optional/accessory equipment; installation into improperly formulated, prepared or placed concrete or concrete which is otherwise inadequate or unsound.*



## LOCATION FOR SINGLE CONTROL BOX FOR STAR



## ANCHOR LAYOUT FOR CURB ANGLE



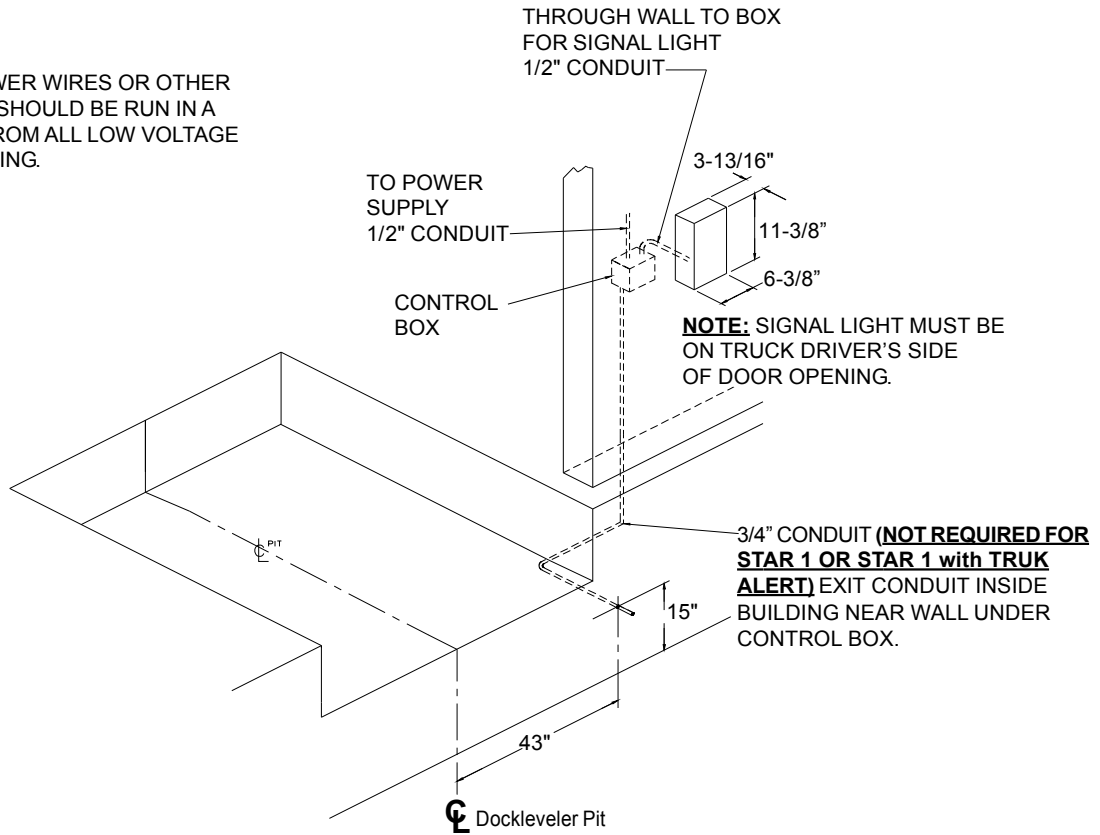
CONCRETE ANCHORS, 1/2" DIA., 6" LONG, LOCATED AS SHOWN

## CM DOCKLEVELER PIT DIMENSIONS

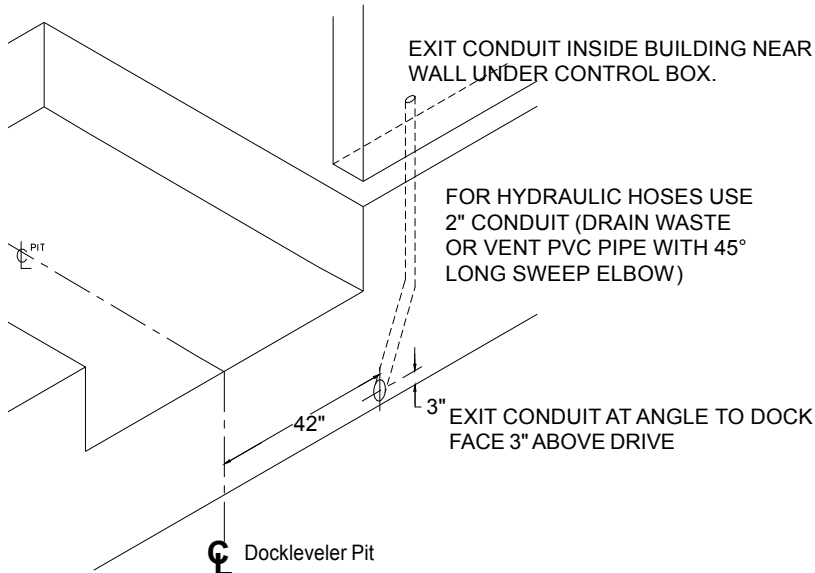
NOM. DOCKLEVELER SIZE		6' x 6'	6' x 8'	6' x 10'	6.5' x 6'	6.5' x 8'	6.5' x 10'	7' x 6'	7' x 8	7' x 10'
PIT LENGTH	<b>DIM. "A"</b>	63"	87"	111"	63"	87"	111"	63"	87"	111"
PIT WIDTH	<b>DIM. "B"</b>	73"	73"	73"	79"	79"	79"	85"	85"	85"
PIT DEPTH Rear	<b>DIM. "C"</b>	19-1/2"	19-1/2"	23-1/2"	19-1/2"	19-1/2"	23-1/2"	19-1/2"	19-1/2"	23-1/2"
PIT DEPTH Front	<b>DIM. "D"</b>	20"	20"	24"	20"	20"	24"	20"	20"	24"
CURB ANGLE Front & Rear	<b>DIM. "E"</b>	79"	79"	79"	85"	85"	85"	91"	91"	91"
CURB ANGLE Side	<b>DIM. "F"</b>	60"	84"	108"	60"	84"	108"	60"	84"	108"
CURB ANGLE Bumper	<b>DIM. "G"</b>	21"	21"	21"	21"	21"	21"	21"	21"	21"
CURB ANGLE Bumper	<b>DIM. "H"</b>	17"	17"	21"	17"	17"	21"	17"	17"	21"

# STAR CONDUIT RUN LOCATION DETAILS

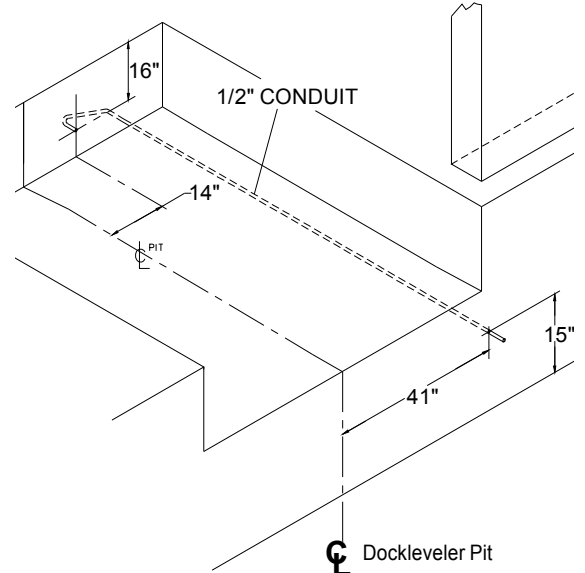
**NOTE:** ALL MOTOR POWER WIRES OR OTHER HIGH VOLTAGE WIRES SHOULD BE RUN IN A SEPARATE CONDUIT FROM ALL LOW VOLTAGE CONTROL CIRCUIT WIRING.



## \*ADDITIONAL CONDUIT REQUIREMENTS FOR OPTIONAL FLOOD PACKAGE — STAR 4



## \*ADDITIONAL CONDUIT REQUIREMENTS FOR OPTIONAL LIP LIMIT SWITCH — STAR 4



\*Requires both the standard conduit run and the additional conduit for the option.



1612 Hutton Drive, Suite 140 • Carrollton, Texas 75006  
Phone: (800) 558-6960 • Fax: (972) 389-4752