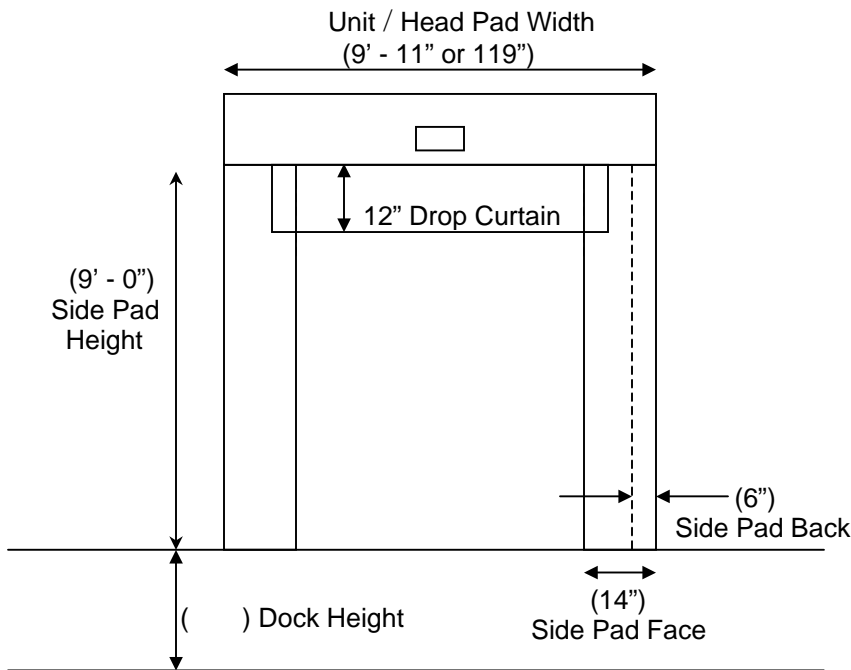


# MODEL WSS-100-10

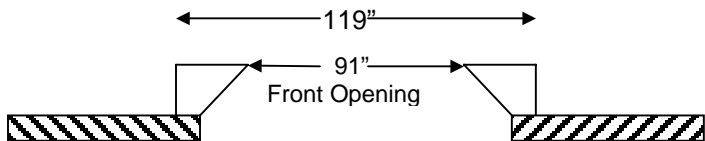
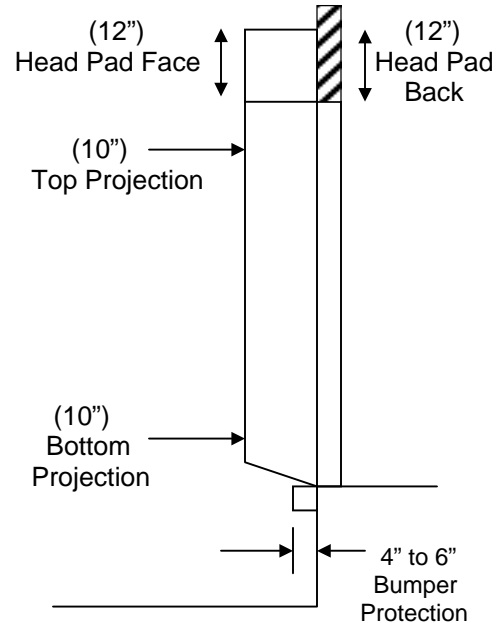


1/1/05

**FRONT VIEW**



**SIDE VIEW**



9' - 0" Door Width Shown with Flush Mount

8' - 0" Wide Door Requires 6" Offset Mount

8' - 6" Wide Door Requires 3" Offset Mount

*Note; This dock seal is designed to be installed on doors up to and including 9' - 0" wide x 9' - 0" high*

**Door Dimensions**

Door Opening Width \_\_\_\_\_ ft. \_\_\_\_\_ in.  
 Door Opening Height: \_\_\_\_\_ ft. \_\_\_\_\_ in.  
 Dock Height: \_\_\_\_\_ ft. \_\_\_\_\_ in.  
 Bumper Protection: \_\_\_\_\_ in.

**Trucks And Trailers Serviced**

Min. Width: \_\_\_\_\_ ft. \_\_\_\_\_ in.  
 Max Width: \_\_\_\_\_ ft. \_\_\_\_\_ in.  
 Min. Height: \_\_\_\_\_ ft. \_\_\_\_\_ in.  
 Max Height: \_\_\_\_\_ ft. \_\_\_\_\_ in.

- Base fabric—Black 22 oz Vinyl. 8" exposure wear pleats are standard on the head pad corners.
- Kiln Dried, #1 grade, Southern Pine wood framing.
- Endurance-tested foam core is continuously bonded to frame surface with flexible, nonflammable adhesive.
- Resilient, open-celled polyurethane foam keeps original shape and compresses easily.
- 12" drop curtain.
- Side pad bottoms are tapered to avoid sagging, pinching and wear.

- All pads are vented for air and moisture release.
- 12" high yellow guide stripes guide drivers to the dock.
- Heavy-duty, galvanized steel mounting brackets Included.

**Options Available:(check if required)**

- KDAT Wood Framing
- Wear Pleats: WP4 WP8 WP16

Pleat Fabric: \_\_\_\_\_